

IN Series Tubular Linear Scales

The CHATILLON® IN Series are one of our most popular linear scales. They are ideal for weighing fish, testing your line or setting your drag. They are also the universal choice for home, educational and industrial use where accuracy and ruggedness are required. The IN Series feature a heavy-gauge solid brass construction with precision steel springs for outstanding reliability, including salt water applications. The scale has avoirdupois and metric graduations that are deeply embossed for easy reading. A zero/tare knob is standard. Scales comes with a fixed holding loop and large open hook. A maximum reading pointer is optional. The IN Series may be certified by the IGFA. The IN Series have an exclusive 5 year limited warranty.

Features

- ❑ Avoirdupois and Metric Graduations
- ❑ Eleven Capacities
- ❑ Brass Construction with Precision Steel Springs
- ❑ Lightweight with Fixed Holding Loop and Open Hook
- ❑ Optional Maximum Reading Pointer
- ❑ 5 Year Warranty

Specifications

- Accuracy:** ±1 Graduation
Maximum Overload: 125% of Rated Capacity
Tare Capacity: 10% Full Scale Capacity
Operating Temperature: 45°F to 100°F (7°C to 38°C)



Dual Graduations



Maximum Reading Pointer



IN-025



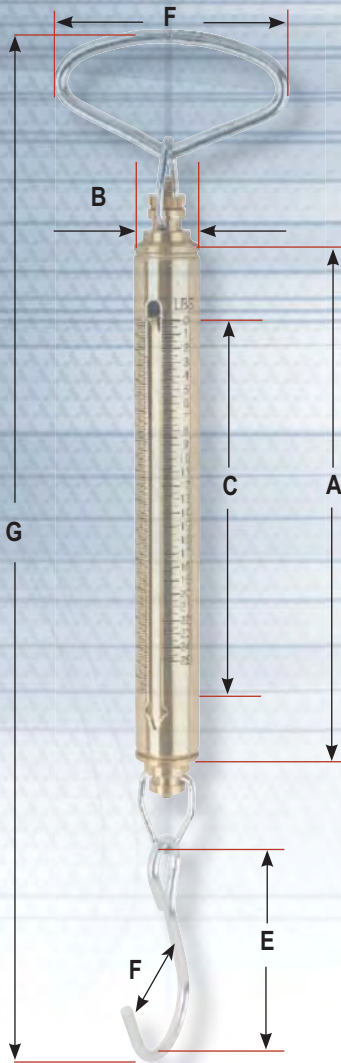
IN-100M
with Maximum
Reading Pointer

Accessories

Part No.	Description
NC002845	Carrying Case



IN Series with optional Carrying Case (NC002845)



Dimensions

Model	A	B	C	D	E	F	G
IN-002	4-7/16"	3/4"	2-1/2"	1-7/8"	11/16"	2-3/4"	10-3/8"
IN-004	4-7/16"	3/4"	2-1/2"	1-7/8"	11/16"	2-3/4"	10-3/8"
IN-006	6-11/16"	7/8"	4-1/2"	1-7/8"	1-3/8"	2-3/4"	12-1/2"
IN-010	4-7/16"	3/4"	2-1/2"	1-7/8"	11/16"	2-3/4"	10-3/8"
IN-012	6-11/16"	7/8"	4-1/2"	1-7/8"	1-3/8"	2-3/4"	12-1/2"
IN-015	4-7/16"	3/4"	2-1/2"	1-7/8"	11/16"	2-3/4"	10-3/8"
IN-025	6-11/16"	7/8"	4-1/2"	1-7/8"	1-3/8"	2-3/4"	12-1/2"
IN-030	4-7/16"	3/4"	2-1/2"	1-7/8"	11/16"	2-3/4"	10-3/8"
IN-050	6-11/16"	7/8"	4-1/2"	1-7/8"	1-3/8"	2-3/4"	12-1/2"
IN-060	7-3/16"	1-1/4"	6"	4"	1-5/8"	4-3/4"	15-1/8"
IN-100	7-3/16"	1-1/4"	6"	4"	1-5/8"	4-3/4"	15-1/8"

Ordering

Without Maximum Reading Pointer

Model	Avoirdupois	Metric	Weight
IN-002	2 lb x 1/2 oz	1 kg x 20 g	1 lb (0.5 kg)
IN-004	4 lb x 1 oz	2 kg x 50 g	1 lb (0.5 kg)
IN-006	6 lb x 1 oz	3 kg x 25 g	2 lb (1 kg)
IN-010	10 lb x 4 oz	5 kg x 100 g	1 lb (0.5 kg)
IN-012	12 lb x 2 oz	6 kg x 50 g	2 lb (1 kg)
IN-015	15 lb x 4 oz	7.5 kg x 100 g	1 lb (0.5 kg)
IN-025	25 lb x 4 oz	12.5 kg x 100 g	2 lb (1 kg)
IN-030	30 lb x 8 oz	15 kg x 250 g	1 lb (0.5 kg)
IN-050	50 lb x 8 oz	25 kg x 250 g	2 lb (1 kg)
IN-060	60 lb x 8 oz	-	2 lb (1 kg)
IN-100	100 lb x 1 lb	50 kg x 50 g	2 lb (1 kg)

With Maximum Reading Pointer

Model	Avoirdupois	Metric	Weight
IN-002M	2 lb x 1/2 oz	1 kg x 20 g	1 lb (0.5 kg)
IN-004M	4 lb x 1 oz	2 kg x 50 g	1 lb (0.5 kg)
IN-006M	6 lb x 1 oz	3 kg x 25 g	2 lb (1 kg)
IN-010M	10 lb x 4 oz	5 kg x 100 g	1 lb (0.5 kg)
IN-012M	12 lb x 2 oz	6 kg x 50 g	2 lb (1 kg)
IN-015M	15 lb x 4 oz	7.5 kg x 100 g	1 lb (0.5 kg)
IN-025M	25 lb x 4 oz	12.5 kg x 100 g	2 lb (1 kg)
IN-030M	30 lb x 8 oz	15 kg x 250 g	1 lb (0.5 kg)
IN-050M	50 lb x 8 oz	25 kg x 250 g	2 lb (1 kg)
IN-060M	60 lb x 8 oz	-	2 lb (1 kg)
IN-100M	100 lb x 1 lb	50 kg x 50 g	2 lb (1 kg)



US GAUGE DIVISION

Americas
AMETEK US Gauge Division
8600 Somerset Drive
Largo, Florida 33773
United States of America
Tel +1-727-536-7831
Tel +1-800-527-9999
Fax +1-727-539-6882
Email chatillon.fl-har@ametek.com

France
AMETEK Lloyd Instruments SAS
3 avenue des Coudriers
Zone d'Activite de l'Observatoire
78180 Montigny-Le-Bretonneux
France
Tel +33-1-3057-4774
Fax +33-1-3057-5033
Email general@lloyd-instruments.com

Germany
AMETEK GmbH
Rudolf-Diesel-Strasse 16
D-40670 Meerbusch
Germany
Tel +49-0-2159-9136-70
Fax +49-0-2159-9136-80
Email apie@ametek.dr

Singapore
AMETEK Singapore Pvt. Ltd.
10 Ang Mo Kio Street 65
#05-12 Techpoint
Singapore 569059
Tel +65-484-2388
Fax +65-481-6588
Email aspl@ametek.com.sg

For the authorized Chatillon Distributor or Manufacturer's Representative near you, go to www.chatillon.com

Visit Us on the Worldwide Web at:
www.chatillon.com

© 2005 by AMETEK, Inc.

Information within this document is subject to change without notice.

ISO 9001/2000
Manufacturer