



35 Ton Capacity
MSI-9300HT Shown

CELLSCALE[®]₉₀₀₀

CELLULAR WEIGHING FROM MSI

MSI-9300HT Porta-Weigh Plus Hi-Torque RF Digital Crane Scale • Product Specifications

A stellar solution for industrial weighing and process control

Accurate Weighing and Process Control for Steel Coil Grabs with Powered Rotators

Product Description

The MSI-9300HT Porta-Weigh Plus RF Digital Crane Scale provides an ideal solution for overhead weighing applications where powered rotation of the lifted material is required. Like the standard MSI-9300, the hi-torque version merges CellScale technology

with MSI's superior Crane Scale architecture to provide an advanced data-gathering system that is ideally suited for process control, safety monitoring and weight related data collection.

The Hi-Torque load train of the MSI-9300HT features a new load cell design that withstands the induced torque associated with power assisted rotating loads. With options available for both top and bottom interfaces, the MSI-

9300HT easily integrates with existing powered rotators to provide safe material handling and increased operational efficiency.

See also specification sheets for MSI-9000, MSI-9020, MSI-9750A, and MSI-3750CS for complete capabilities and networked weighing system solutions.

MSI-9300HT in a CellScale Network



MSI-9300HT
(Wireless Communication with CellScale Crane Scales and Peripherals)



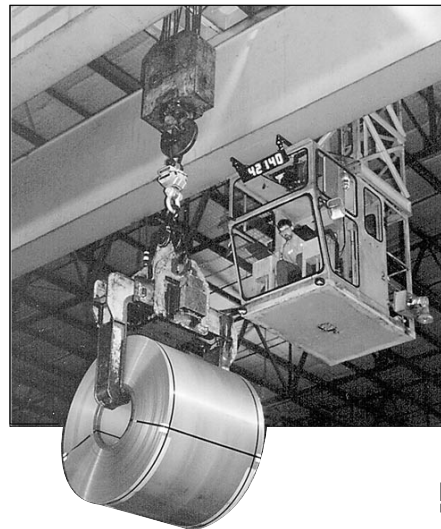
MSI-9300HT/MSI-3750CS system configuration provides CellScale's rich feature set to any crane scale application. Monitor and control up to 32 independent crane scales from single or multiple locations. *(See separate specification sheet for MSI-3750CS RF Digital Weight Indicator).*



MSI-9300HT/MSI-9020 CellModem system configuration provides wireless CellScale link with peripheral serial devices including computers, scoreboards, printers and PLC's. *(See separate specification sheet for MSI-9020 RF CellModem).*



MSI-9300HT/MSI-9750A system configuration provides CellScale's rich feature set through a portable and wireless digital indicator. Supports multiple channel display on individual networks (up to 8 simultaneously), data logging, bar code scanner interface and inter-network radio messaging. *(See separate specification sheet for MSI-9750A RF Remote Indicator).*



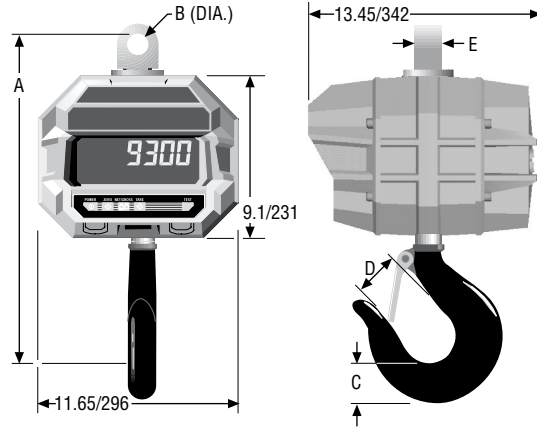
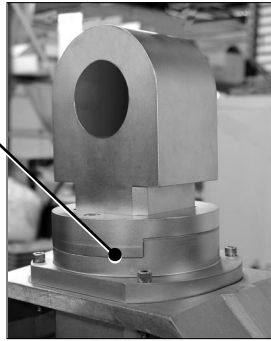
MSI-9300HT "Hi-Torque" for Tough Industrial Applications

- Shock mounted electronics
- 1.2 in (30mm) ultra bright LED digits
- Automatic display brightness control
- Rugged waterproof industrial enclosure
- Local and wireless remote display capabilities
- Fixed and portable handheld indicators available
- Single or multiple crane scale monitoring and control
- Real time wireless data transmission of weight and product information
- Hi-Torque load train specifically designed for powered rotator applications
- Four standard capacities, higher capacity and special order designs available
- Easily networked for communications at distances up to 1000 ft (300m) outdoors
- Modems available for direct connection to computers, PLC's, scoreboards and printers

MSI-9300HT
HI
TORQUE

MSI-9300HT Hi-Torque Specifications and Dimensions

New top interface specifically designed to easily accommodate optional low headroom adapter



Note: Standard hook orientation shown. Please specify if alternate orientation is required.

CAPACITY	RESOLUTION*	MAXIMUM TORQUE	A	B	C	D	E	FIXED HOOK	SHIPPING WEIGHT	OPTIONAL TOP SHACKLE
5,000 lb 2,500 kg	1 lb 0.5 kg	150 ft/lb 203 Nm	19.7 in 500.0 mm	1.28 in 33.0 mm	1.44 in 37.0 mm	1.41 in 36.0 mm	1.75 in 44.5 mm	5 ton	62 lb 28 kg	9-1/2 ton
10,000 lb 5,000 kg	2 lb 1 kg	150 ft/lb 203 Nm	19.7 in 500.0 mm	1.28 in 33.0 mm	1.44 in 37.0 mm	1.41 in 36.0 mm	1.75 in 44.5 mm	5 ton	62 lb 28 kg	9-1/2 ton
30,000 lb 15,000 kg	10 lb 5 kg	560 ft/lb 759 Nm	21.2 in 538.0 mm	1.69 in 43.0 mm	2.60 in 66.0 mm	2.41 in 61.0 mm	2.25 in 57.2 mm	15 ton	135 lb 61 kg	17 ton
70,000 lb 35,000 kg	20 lb 10 kg	1500 ft/lb 2033 Nm	28.2 in 716.0 mm	2.06 in 52.0 mm	4.56 in 116.0 mm	3.00 in 76.0 mm	2.75 in 69.9 mm	37 ton	290 lb 132 kg	40 ton

CONSULT FACTORY FOR HIGHER CAPACITIES

Specifications

Accuracy

Plus or minus 0.1% of applied load

Housing

- Alodined cast aluminum
- Double O-ring gasketed
- NEMA 4, IP66

Load Train

- Load Cell: 4340 aircraft quality steel
- Top Lifting Shackle: Crosby or equivalent
- Hook: Crosby fixed hook or equivalent (specify orientation if needed)
- Safe Overload: 200% of rated capacity
- Ultimate Overload: 500% of rated capacity (except as noted)

Display

- 6 digit, 30mm (1.2 in) high weight and data LED
- 14 backlit LED annunciators
- Automatic brightness adjustment

Units

Pounds or kilograms selectable

Temperature

Operating: -20°C to 70°C (-4°F to 158°F)

Operating Range

Typically 150m (500 ft) indoors, 300m (1000 ft) outdoors

Calibration

Via RF or Input Comm Port. Calibration is accomplished through a terminal program residing on any computer. Calibration is also available using the MSI-9750A and MSI-3750CS meters

Comm Port

Used for calibration purposes and system configuration management

Radio Link

Frequency Hopping Spread Spectrum @ 2.4 GHz provides 32 collocated networks of scales and peripheral devices. Radio functions in the ISM band, license free in the USA and Europe. 10mW (low power) or 100mW (high power)

Power

12 volt rechargeable battery (includes 115-230 VAC, 50/60 Hz universal battery charger)

Operating Time

20-30 Hrs depending on brightness settings and average number of segments "On". 40-60 Hrs without RF modem

RF/EMI Shielding

Exceeds NIST HB44 and EC standards

Data I/O

Any scale data is available via RF interface

Totalization and Statistics

Pushbutton or automatic – Extensive total and statistics capability is provided when CellScale digital weight indicators are part of the network

Real Time Clock

Date/time in US or European formats. Backed by a replaceable lithium battery (typical life > 5 years). Clock data available via RF interfaces (MSI-9020, MSI-9750A, MSI-3750CS)

Standard Function Switches

POWER: Turns unit "On" or "Off"

ZERO: Zeros applied load up to 100% of capacity

NET/GROSS:

Switches between NET and GROSS weight readings

TARE: Tares applied load and displays weight in NET mode

TEST: Provides on-demand functional tests of display segments, battery and RF network information, and is also programmable for USER desired functions

Options

- Anti-Heat shielding for high temperature applications (mill and foundry)
- Direct AC or DC power input
- Audible alarm
- Non-RF equipped version (CellScale RF modem removed)
- Top shackle (Crosby or equal)
- Top interface for low headroom adapter (top shackle interface standard)
- Bottom interface for larger hook, shackle, lug or clevis



Specifications subject to change without notice.

PUB.303-04-04 Printed in U.S.A.

© 2004 by Measurement Systems International, Inc.

CellScale® is a registered trademark of Measurement Systems International, Inc.

"We weigh quality first"



Measurement Systems International

14240 Interurban Avenue South STE.200

Seattle, Washington 98168-4661 U.S.A.

Phone: 206-433-0199 • Fax: 206-244-8470

Web: www.msiscales.com • Email: info@msiscales.com