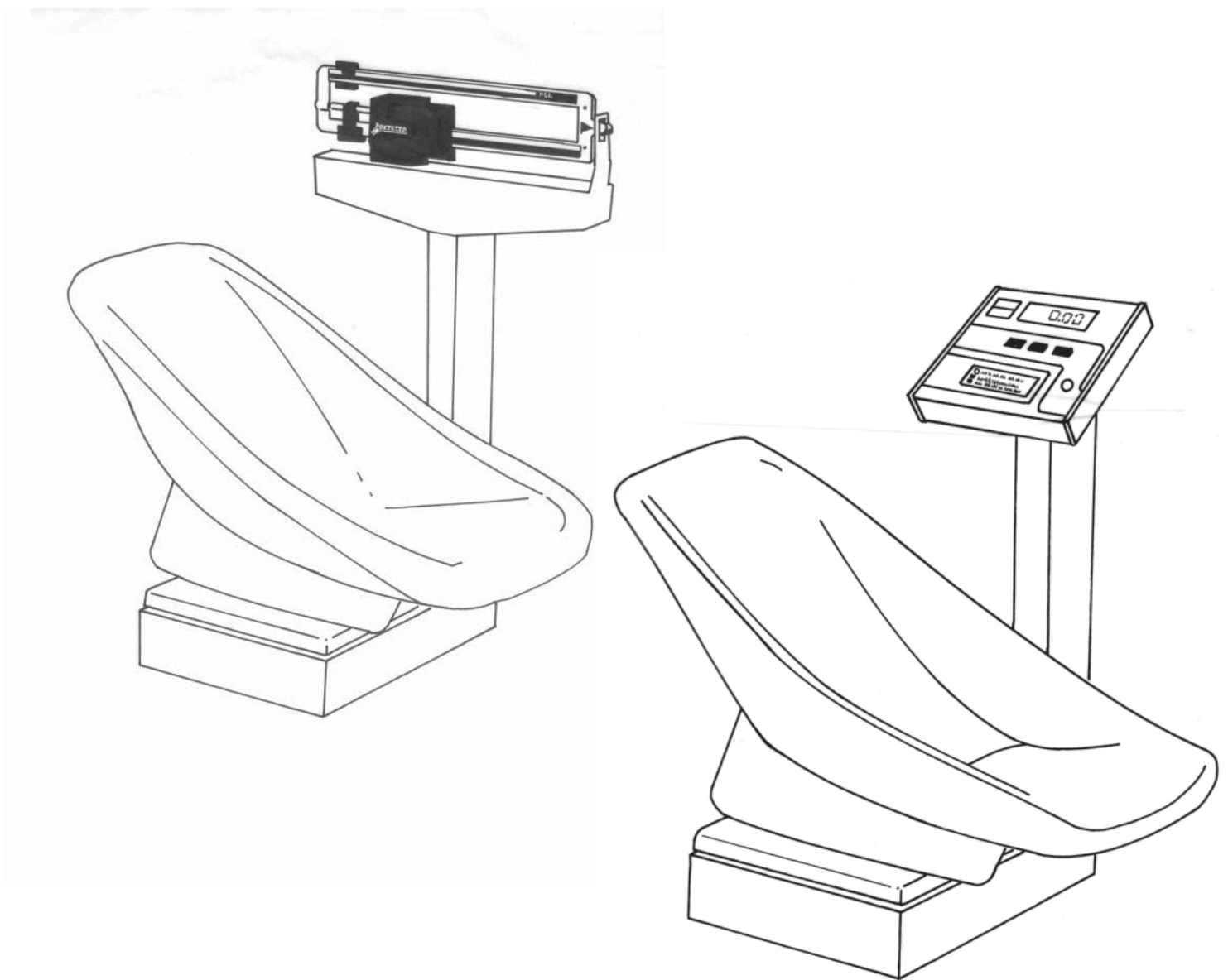




# Setup Instructions for Models 459-CH and 8432-CH Neonatal Scale



CARDINAL SCALE MFG. CO.  
P.O. Box 151  
Webb City, MO 64870  
(417) 673-4631

8525-M178-01 Rev E  
03/02

Printed in USA

# Neonatal Scale Setup Instructions for Models 459-CH and 8432-CH

## FCC COMPLIANCE STATEMENT

WARNING! Model 8432-CH generates, uses and can radiate radio frequency energy and if not installed and used in accordance with the instructions manual, may cause interference to radio communications. It has been tested and found to comply with the limits for a Class A computing device pursuant to Subpart J of Part 15 of FCC rules, which are designed to provide reasonable protection against such interference when operated in a commercial environment. Operation of this equipment in a residential area is likely to cause interference in which case the user, at his own expense, will be required to take whatever measures may be required to correct the interference.

All rights reserved. Reproduction or use, without express permission, of editorial or pictorial content, in any manner, is prohibited. No patent liability is assumed with respect to the use of the information contained herein. While every precaution has been taken in the preparation of this book, we assume no responsibility for errors or omissions. Neither is any liability assumed for damages resulting from the use of the information contained herein. All instructions and diagrams have been checked for accuracy and ease of application; however, success and safety in working with tools depend, to a great extent, upon the individual accuracy, skill and caution. For this reason, we are not able to guarantee the result of any procedure contained herein. Nor can we assume responsibility for damage to property or injury to persons engaging the procedures do so entirely at their own risk.

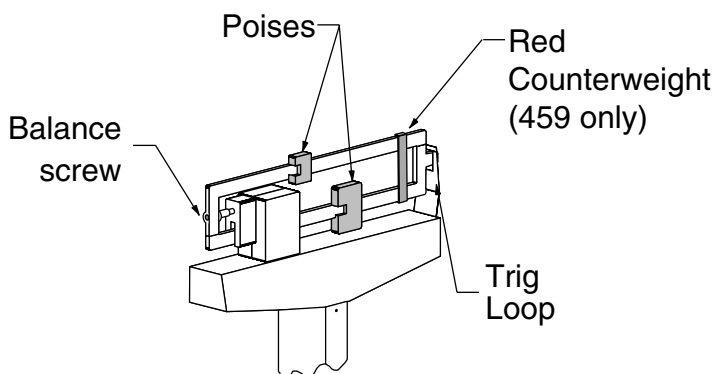
SERIAL NUMBER \_\_\_\_\_

DATE OF PURCHASE \_\_\_\_\_

PURCHASED FROM \_\_\_\_\_

Retain this information for future use.

**OPERATING INSTRUCTIONS:** Lay the child being weighed in the center of the seat. This will distribute the weight evenly across the scale, with the center of the body weight over the center of the supporting scale platform.

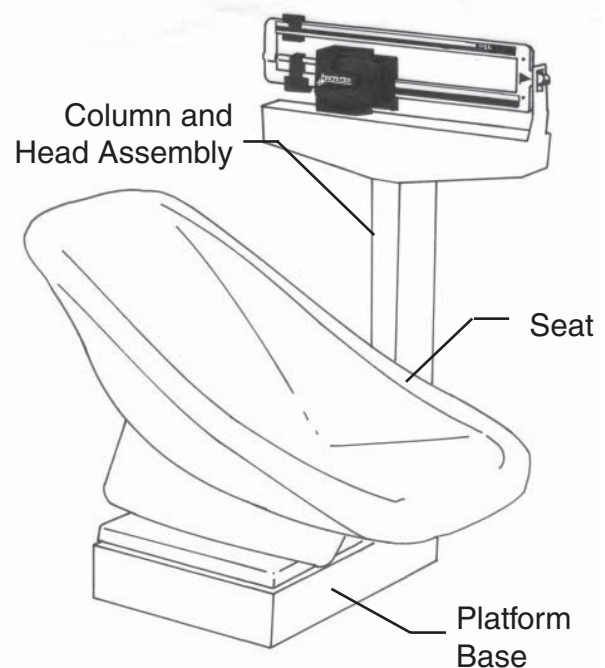


## UNPACKING INSTRUCTIONS

Carefully unpack scale components from the carton and note any discrepancies in their condition. Save the carton and packing in case it is necessary to return the scale.

## CARE AND CLEANING OF SCALE

- DO NOT subject the platform to sudden shocks.
- Avoid areas where the scale might be exposed to moisture.
- DO NOT spray water directly on the display head. The scale may be cleaned using a damp, soft cloth and mild detergent. DO NOT use abrasive cleaners on this instrument.
- DO NOT use acetone or other volatile solvents for cleaning.



Component parts to assembly of scale (REF).

## SETUP INSTRUCTIONS FOR THE 459-CH

Capacity: 40 lb x 1/2 oz/17 1/2 kg x 10 g

To balance the scale, place on a level, stable location. Move both poises to zero and turn the balance screw on the left of the beam, in or out as required, until the beam balances at mid-point on the trig loop.

View to the left shows the procedure for balancing the scale prior to normal operation.

## SPECIFICATIONS

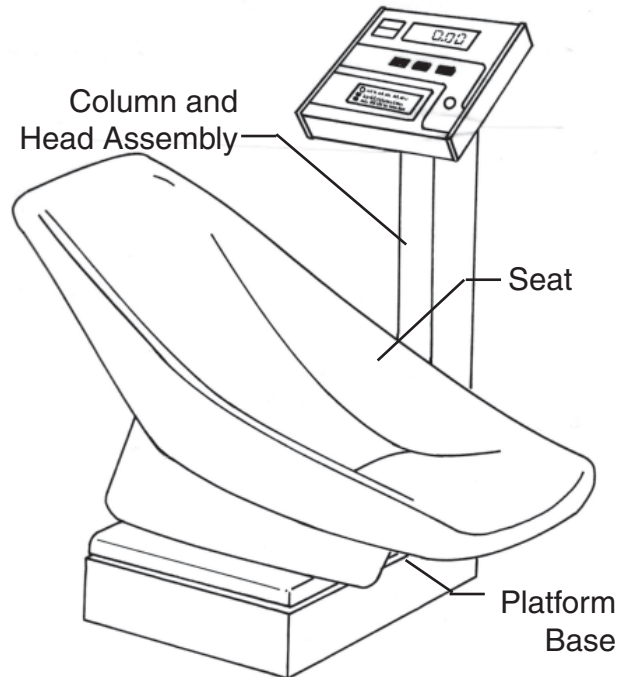
Power Requirements: ..... Six (6) "C" size batteries (not included) or optional converter.  
 Input - 115 VAC  $\pm$  10% 50/60 Hz @ .05 amp or 230 VAC  $\pm$  10% 50/60 Hz @ .05 amp. Output - 12 VDC  $\pm$  10% @ .3 amp

Operating Temperature: . 14°F to 104°F (-10°C to 40°C)

## DISPLAY CODES

The 758C is equipped with a diagnostic software program that tests various portions of the instrument's circuitry and verifies proper operation. Should a problem be detected, an error or status message will be displayed alerting the operator to the condition. The following lists these errors and status displays and their meaning.

Display	Meaning
<i>U n 5</i>	Motion is present when the 758C is attempting to perform one of the following operations: Power Up or Zero Weight Display.
<i>- o F -</i>	Attempting to display a negative number greater than -9,999 or a positive number greater than 99,999.
<i>0 CAP</i>	Scale weight exceeds scale capacity.
<i>CAL, b</i>	Indicates improper stored calibration data; calibration is necessary.
<i>A FA, L</i>	The analog to digital circuit has failed. Consult scale serviceman.
<i>HELP A</i>	The microprocessor has stopped receiving the signal from the analog circuit. To correct, remove the load from the scale platform and power the indicator off and back on.
<i>Er l</i>	Indicates an attempt to zero a weight outside the scale zero range (see Four Percent Zero Tracking Range Limit).
<i>Lo bAt</i>	This indicates the batteries are low. Replace if using alkaline batteries or if using Ni-Cad batteries, remove and recharge.



Component parts for assembly of scale (REF).

## SETUP INSTRUCTIONS FOR THE 8432-CH

Capacity: 44 lb x .05 oz/20 kg x .02 kg

- Install six (6) "C" size batteries (not included), or if ordered with the scale, plug the power supply module into an appropriate power receptacle. Plug the small connector end of the power supply cord into the power jack located in the bottom right corner at the back of the indicator.
- Set the scale on any hard, level, flat surface or low-cut carpet.
- With no weight on the scale platform, press the ON key. After a second or so the display should indicate a zero weight with the ZERO annunciator turned on. If the display does not indicate zero, press the ZERO key to zero the weight display.
- After use, re-zero the scale by removing all weight from the platform and press the ZERO key.
- For more information, see the 758C Owner's Manual (8555-M167-O1).

