



DL SERIES

BENCH/PLATFORM SCALE

- 150 & 300 lb Capacities
- Battery & AC Operated
 - Kg/Lb Switchable
- Legal for Trade - NTEP # 08-016

CAS
S • C • A • L • E



DL Series BENCH/PLATFORM Scale

Features

- Battery Operated
- Standard AC Adapter
- On/Off, Zero, Tare, Counting, and Hi/Lo Functions
- Easy to Read LCD Display
- Auto Span Adjustment
- Auto Zero Tracking
- Kg/Lb Switchable
- RS-232C Interface
- Legal for Trade



Specifications

Model	DL-150	DL-300
Weighing Capacity	150 x 0.1 lbs	300 x 0.1 lbs
	60 kg x 20 g	150 kg x 50 g
External Resolution	1/3,000	
Internal Resolution	1/30,000	
Display Type	5 Digit LCD	
Symbols	STABLE, ZERO, NET, kg, lb, oz, BAT	
Weight Units	Kg, lb	
Function Keys	On/Off, Zero, Tare, Mode	
Interface	RS-232C	
Power Source	1.5v X 6 ("C" size battery) / AC Adapter	
Operating Temp	-10°C ~ 40°C / 14°F ~ 104°F	
Platter Size (inch/mm)	15.8 (W) x 20.6 (D)	
	401 (W) x 523.2 (D)	
Dimensions (inch/mm)	16.5 (W) x 25.8 (D) x 31 (H)	
	420 (W) x 655 (D) x 787 (H)	
Product Weight	39.7 lbs / 18 kg	

The DL Series Bench Scale is a well built, sturdy scale that will stand up to years of use. Available in two capacities, the DL Series Bench Scale can be used in any general weighing application.

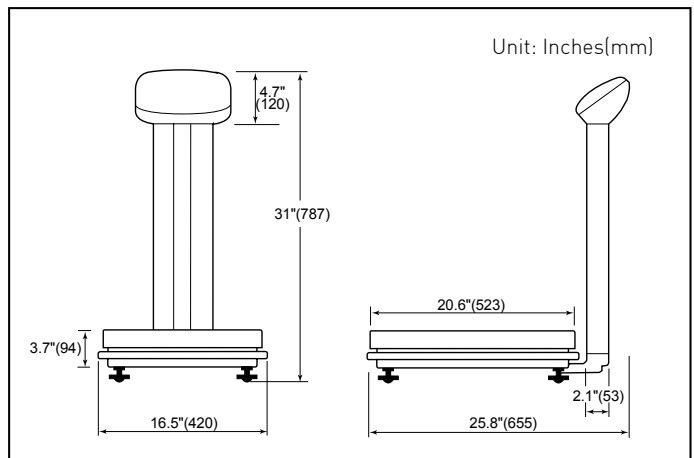
Applications

- Shipping /Receiving
- Farm Market
- Laundry
- General Purpose

Display & Keyboard



Dimensions



CAS USA Corporation Corporate Office

99 Murray Hill Parkway
East Rutherford, NJ 07073
Tel: (201) 933-9002
Fax: (201) 933-9025
<http://www.cas-usa.com>

